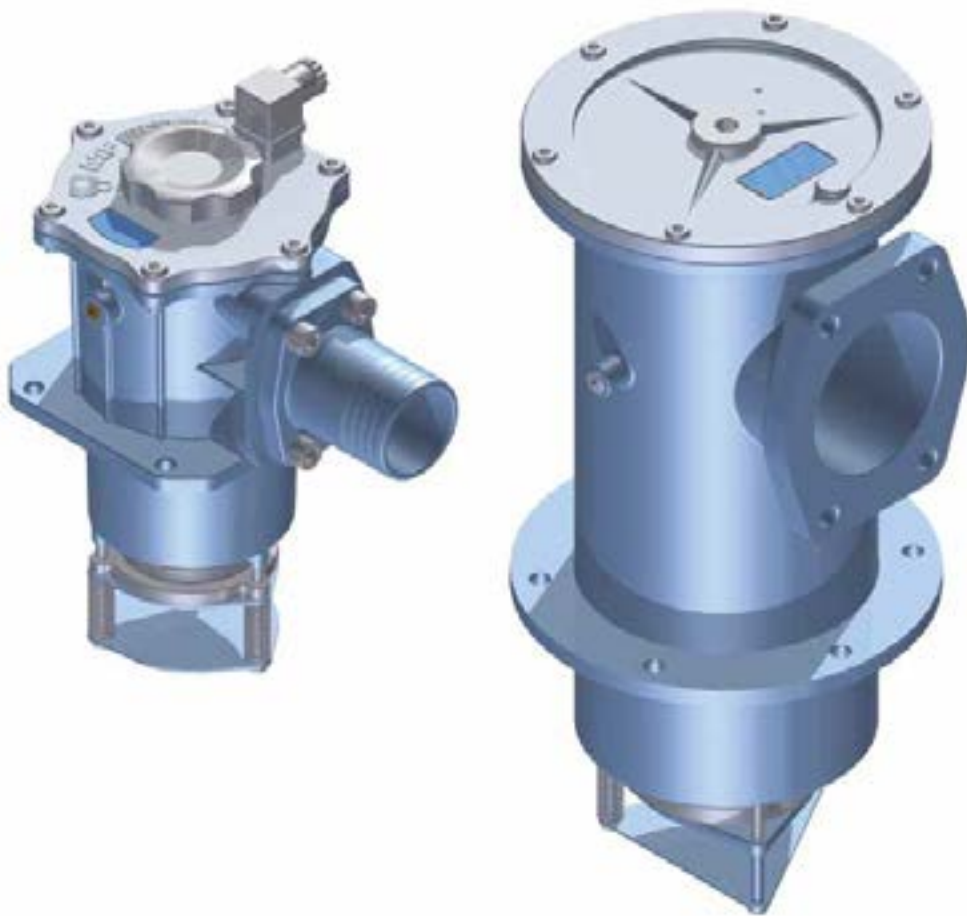


SF2 500 series

Flow rate up to 800 l/min



SF2 500 GENERAL INFORMATION

Technical data

Suction filters Flow rate up to 800 l/min

Filter housing materials

- Housing:
Anodized Aluminium
Steel (chemical heat treatment): only for SF2 535 - 540

- Cover:
Anodized Aluminium
Steel (chemical heat treatment): only for SF2 535 - 540

- Optional flange:
Anodized Aluminium

Seals

- Standard NBR series A
- Optional FPM series V

Temperature

From -25 °C to +110 °C

Elements

Fluid flow through the filter element from IN to OUT.

Note

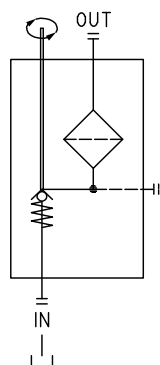
SF2 500 filters mounting, see the drawings on page 47 and following.

Weights [kg]

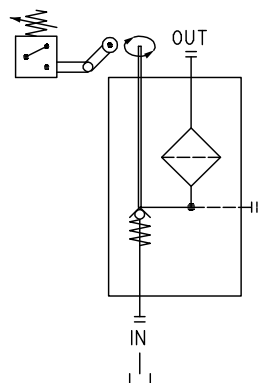
SF2 500-501	4.0
SF2 503	4.8
SF2 504	5.8
SF2 505	6.0
SF2 510	7.2
SF2 535	17
SF2 540	19

Hydraulic symbols

SF2 500 S-M



SF2 500 D-K

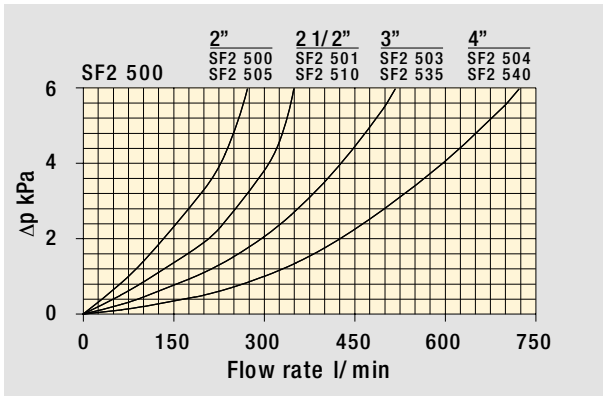


GENERAL INFORMATION SF2 500

The curves are plotted using mineral oil with density of 0.86 kg/dm³ in compliance with ISO 3968.

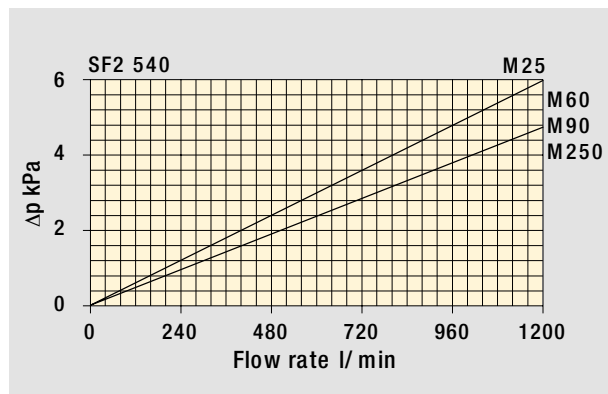
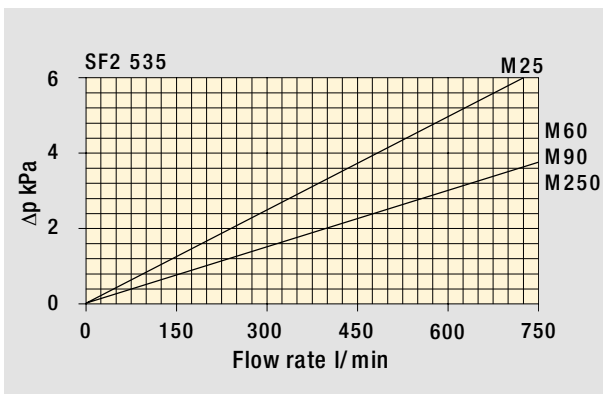
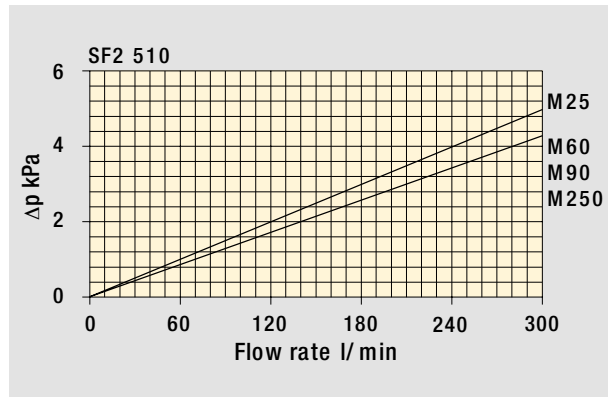
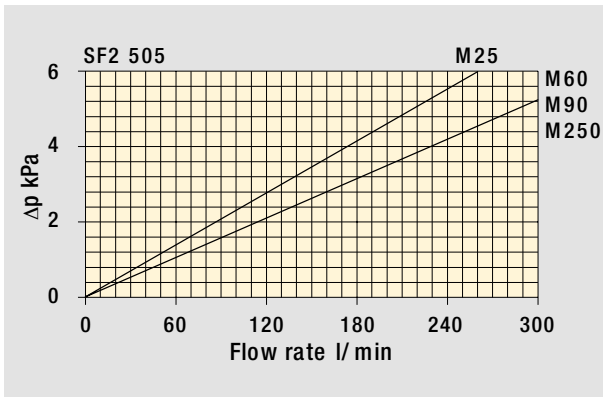
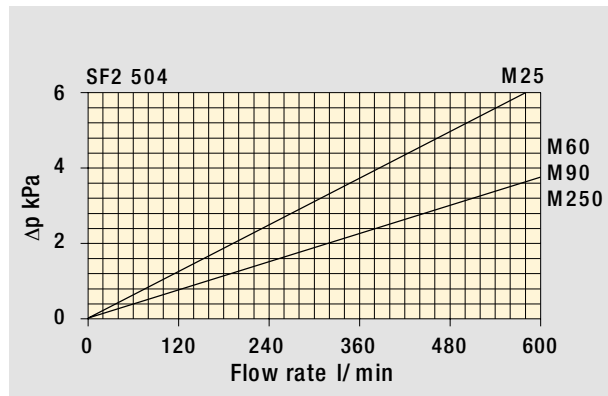
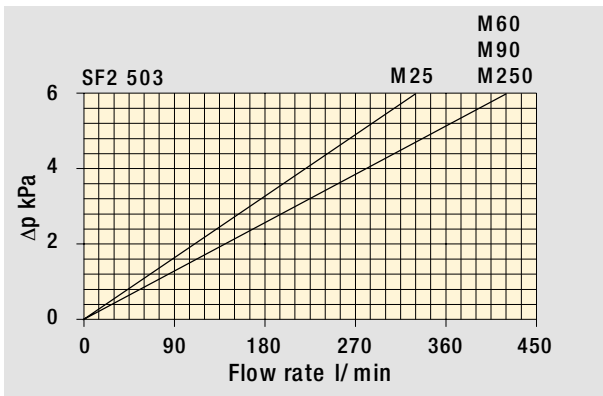
Δp varies proportionally with density.

Filter housings Δp pressure drop



The curves are plotted using mineral oil with density of 0.86 kg/dm³ in compliance with ISO 3968.

Filter element Δp pressure drop



Designation & Ordering code

COMPLETE FILTER

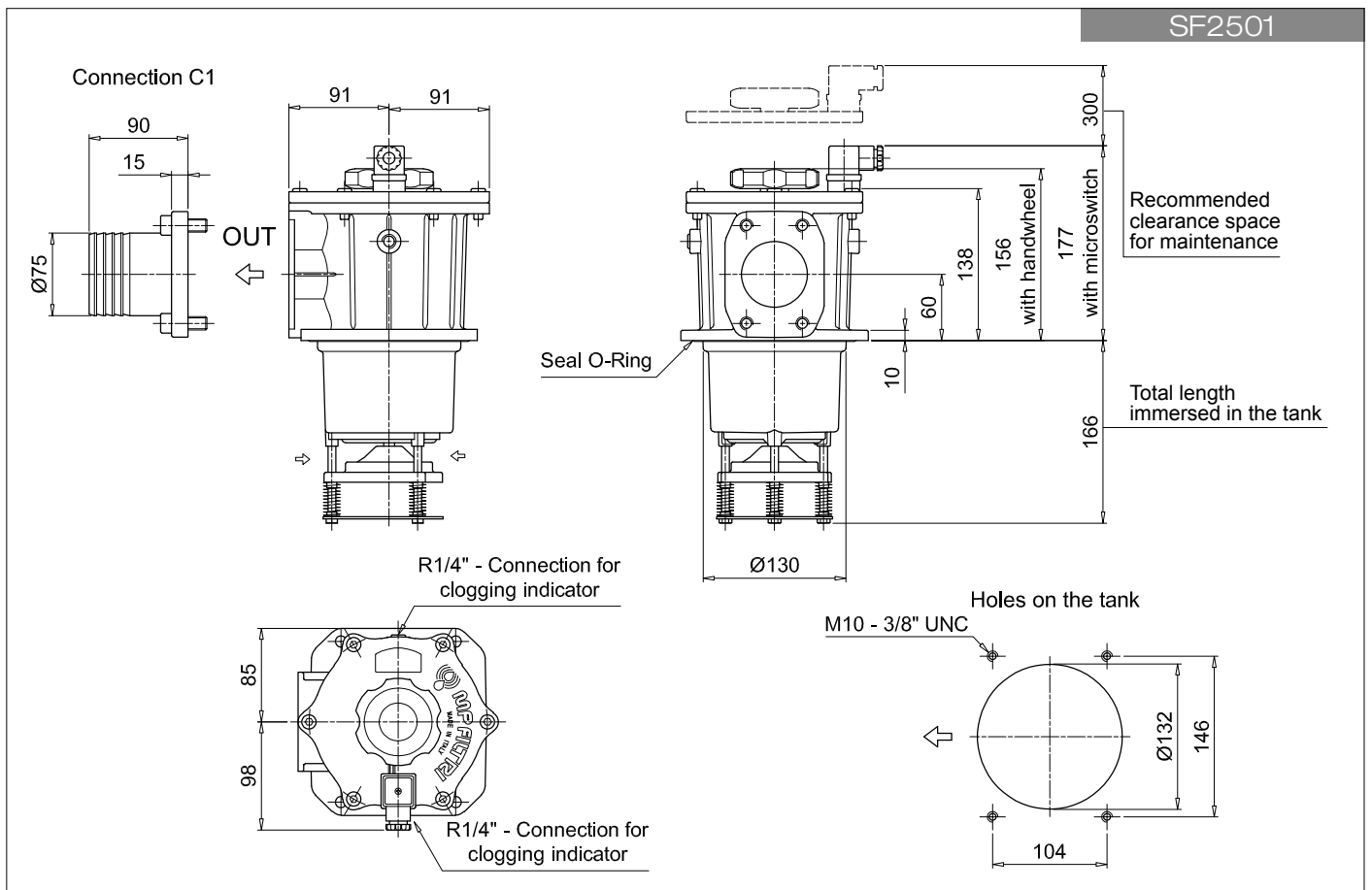
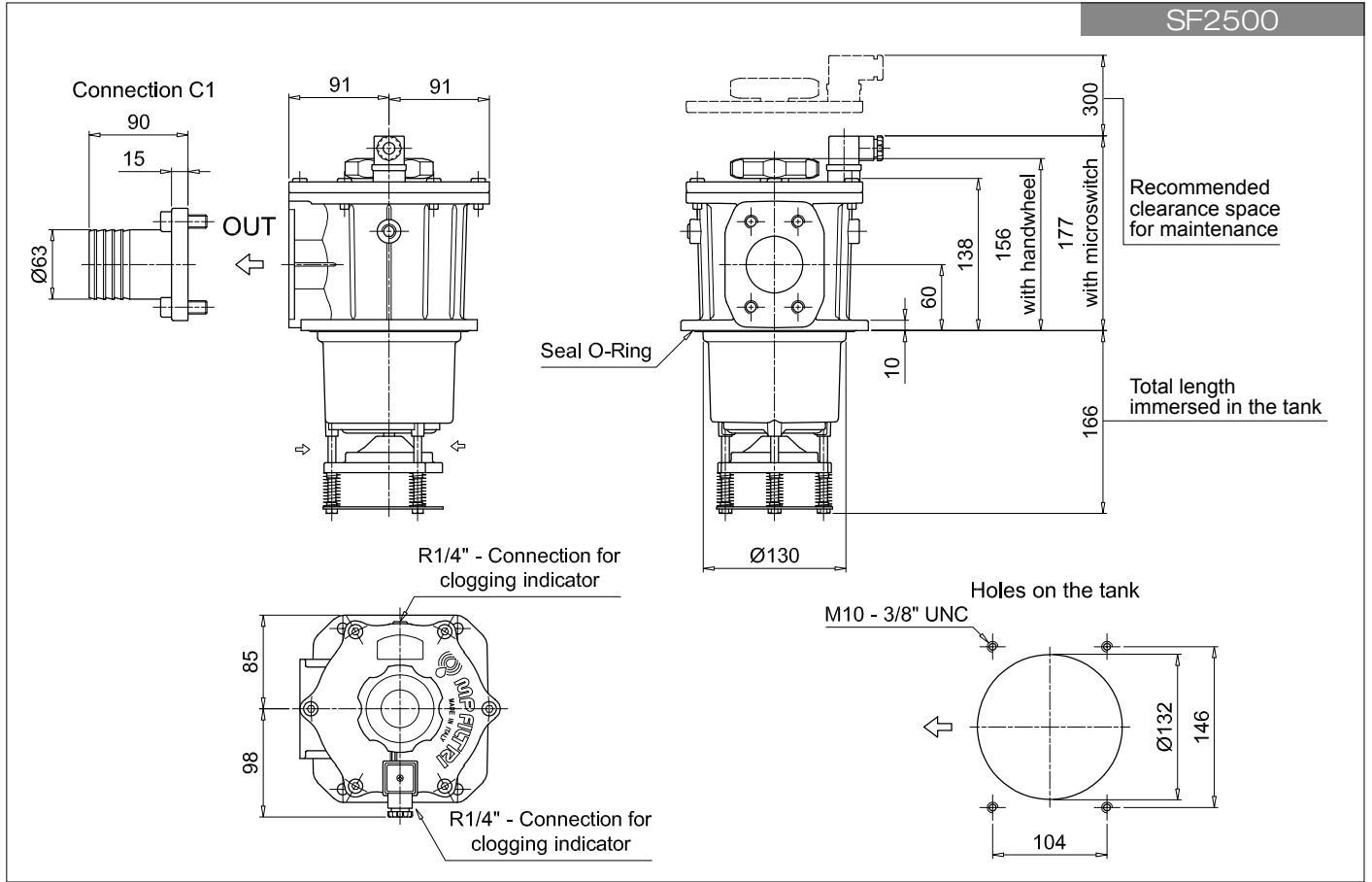
Series and size		Configuration example 1: SF2500 W F1 D M25 P01					
SF2500		Configuration example 2: SF2535 A F2 C M60 P01					
SF2501							
SF2503							
SF2504							
SF2505							
SF2510							
SF2535							
SF2540							
Seals and treatments		Filtration rating					
		Mxx	Pxx				
A	NBR	•	•				
V	FPM	•	•				
W	NBR compatible with fluids HFA-HFB-HFC	•					
Z	FPM compatible with fluids HFA-HFB-HFC	•					
Connections							
SF2500 - SF2505		SF2501 - SF2510		SF2503 - SF2535		SF2504 - SF2540	
F1	2" SAE 3000 psi/M	2 1/2" SAE 3000 psi/M	3" SAE 3000 psi/M	4" SAE 3000 psi/M			
F2	2" SAE 3000 psi/UNC	2 1/2" SAE 3000 psi/UNC	3" SAE 3000 psi/UNC	4" SAE 3000 psi/UNC			
C1	Hose barb 2"/M	Hose barb 2 1/2"/M	Hose barb 3"/M	Hose barb 4"/M			
Microswitch and Handweel							
		SF2500 - SF2501	SF2503 - SF2504	SF2505 - SF2510	SF2535 - SF2540		
S	Without microswitch, without handwheel	•	•	•	•		
C	With microswitch, without handwheel			•	•		
D	With microswitch, with Nylon handwheel	•	•				
K	With microswitch, with steel handwheel	•	•				
M	Without microswitch, with Nylon handwheel	•	•				
Filtration rating (filter media)							
M25	Wire mesh 25 µm	M90	Wire mesh 90 µm				
M60	Wire mesh 60 µm	M250	Wire mesh 250 µm				
							Execution
							P01 MP Filtri standard
							Pxx Customized

FILTER ELEMENT

Element series and size								Configuration example 1: SF510 M25 W P01					
								Configuration example 2: SF535 M60 P01					
	SF2500	SF2501	SF2503	SF2504	SF2505	SF2510	SF2535	SF2540					
SF503			•										
SF504				•									
SF505					•								
SF510	•	•				•							
SF535							•						
SF540								•					
Filtration rating (filter media)													
M25	Wire mesh 25 µm	M90	Wire mesh 90 µm										
M60	Wire mesh 60 µm	M250	Wire mesh 250 µm										
Seals and treatments								Filtration rating					
								Mxx	Pxx				
Standard version								•	•				
W Compatible with fluids HFA-HFB-HFC								•					
								Execution					
								P01 MP Filtri standard					
								Pxx Customized					

ACCESSORIES

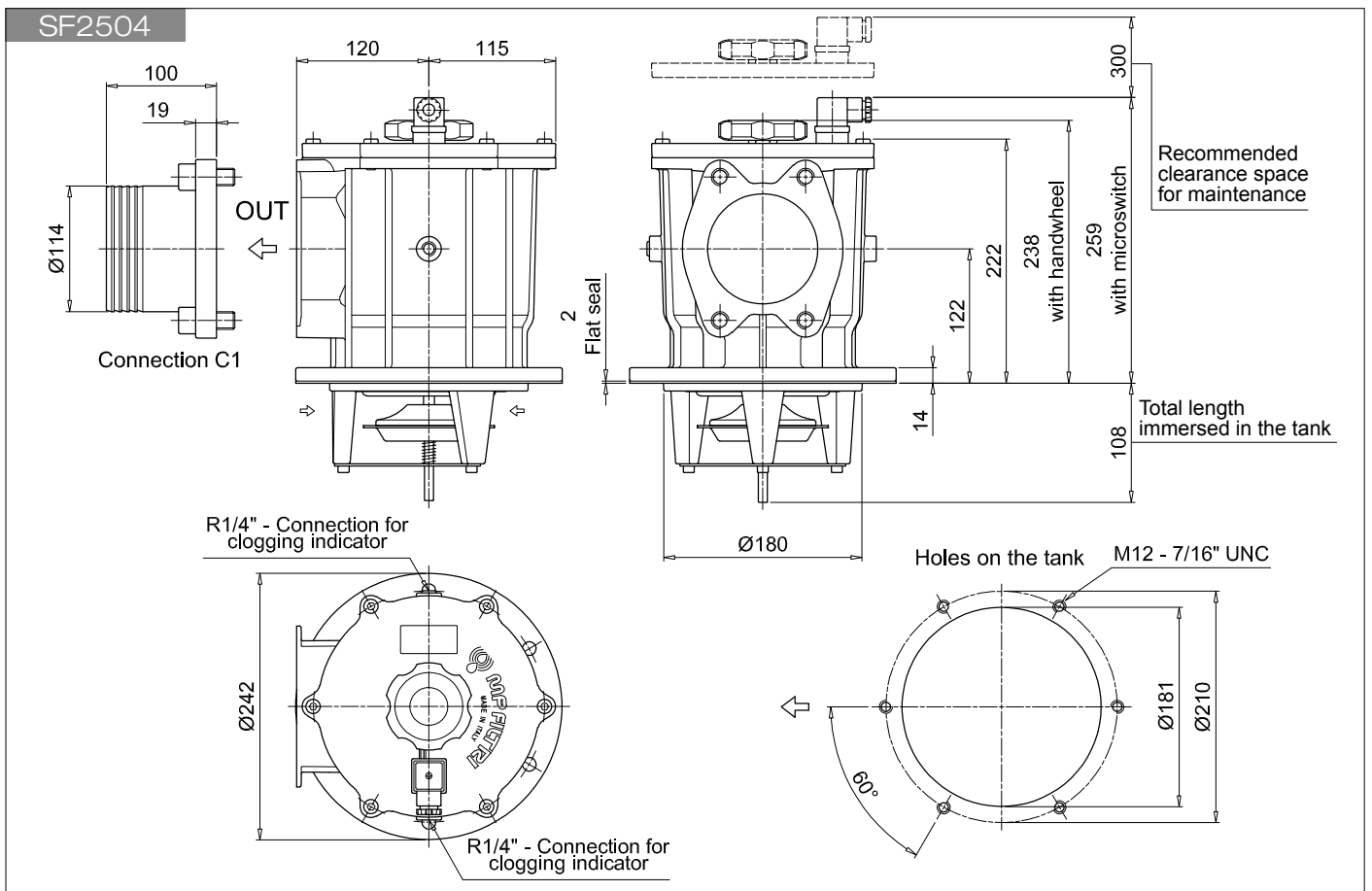
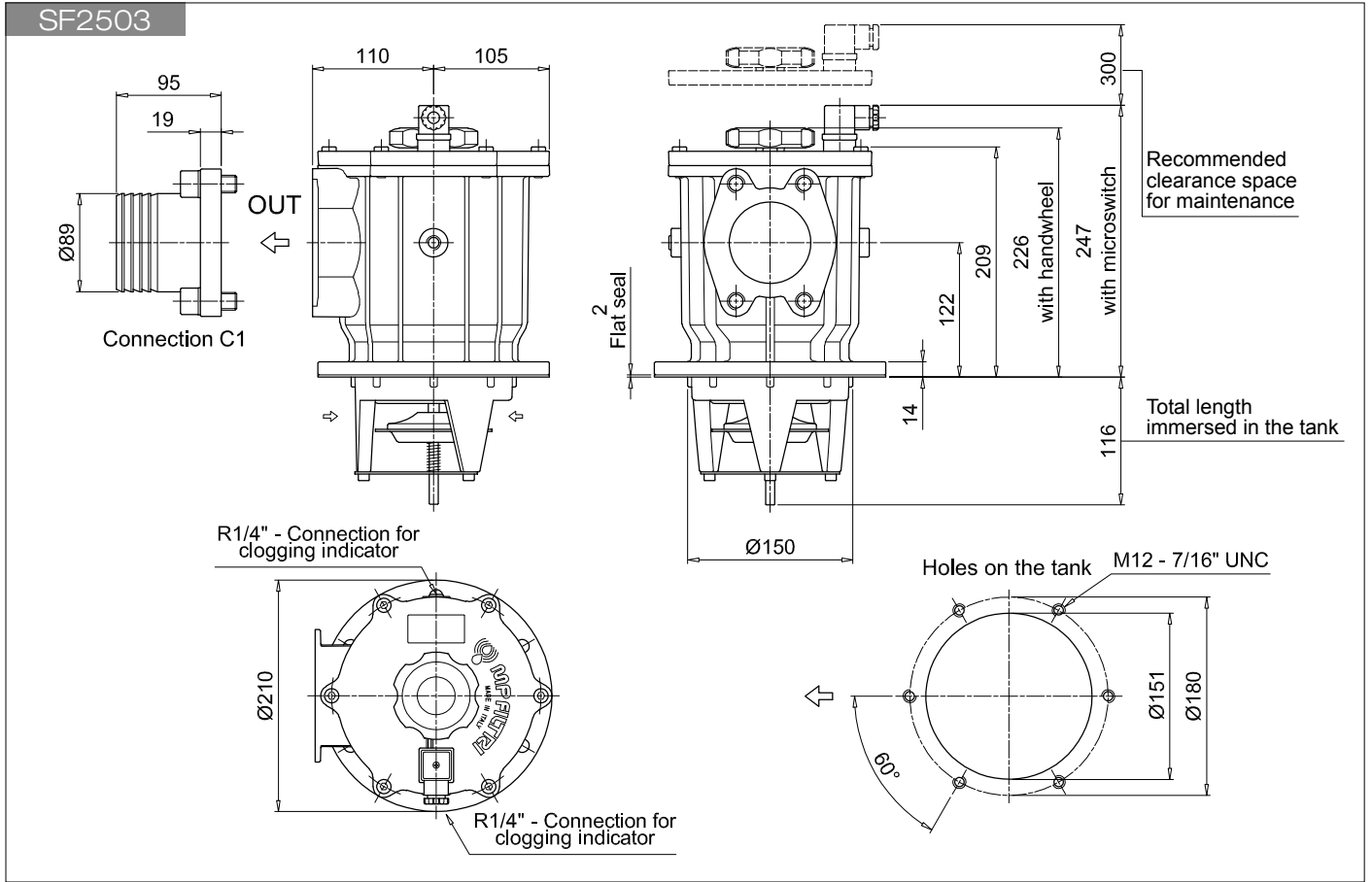
Clogging indicators	page
VVA Axial vacuum gauge	55
VVR Radial vacuum gauge	55
VEA Electrical vacuum indicator	54
VLA Electrical / visual vacuum indicator	54



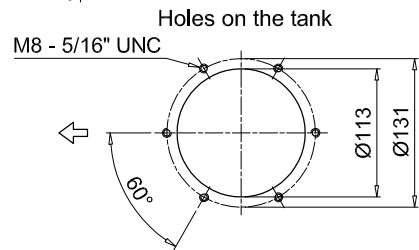
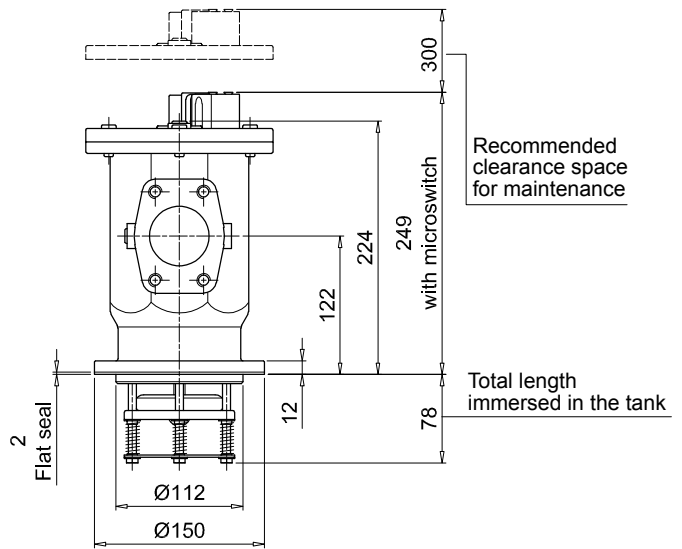
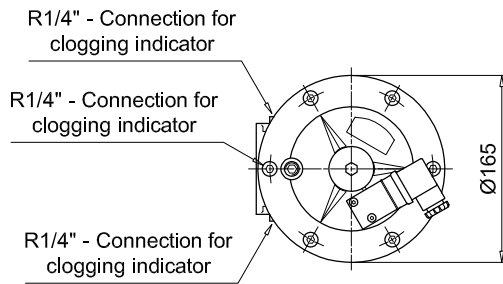
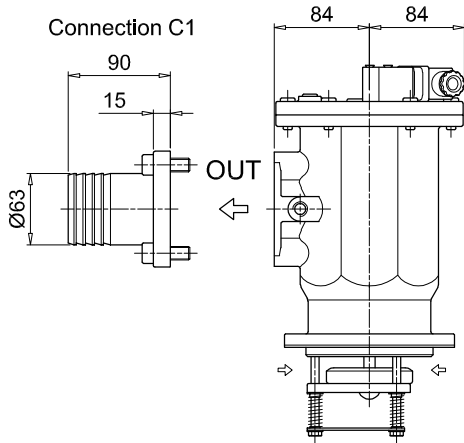
SF2 500

SF2500 - SF2501 - SF2503 - SF2504 - SF2505 - SF25010 - SF2535 - SF2540

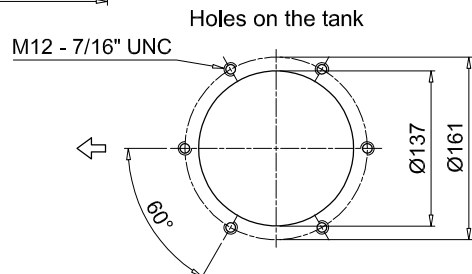
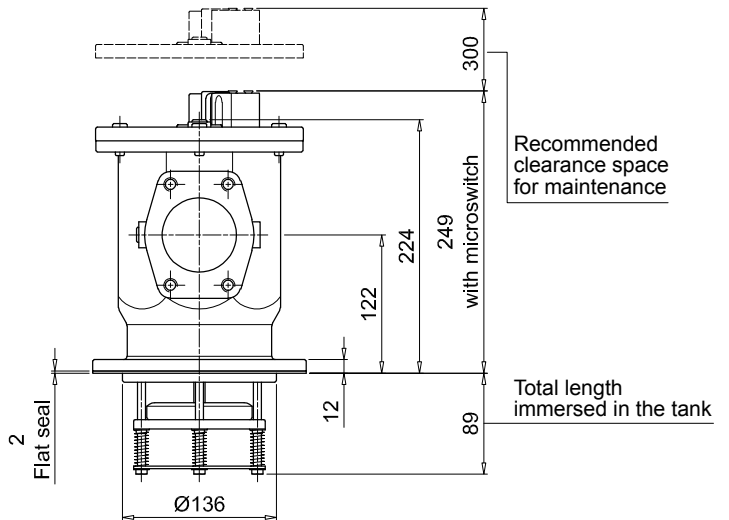
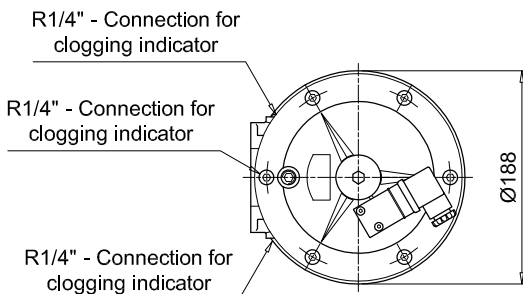
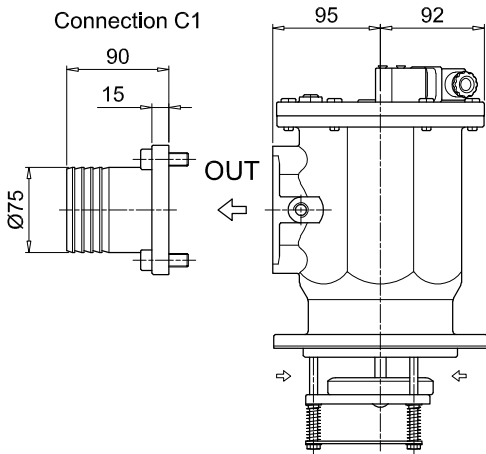
Dimensions



SF2505



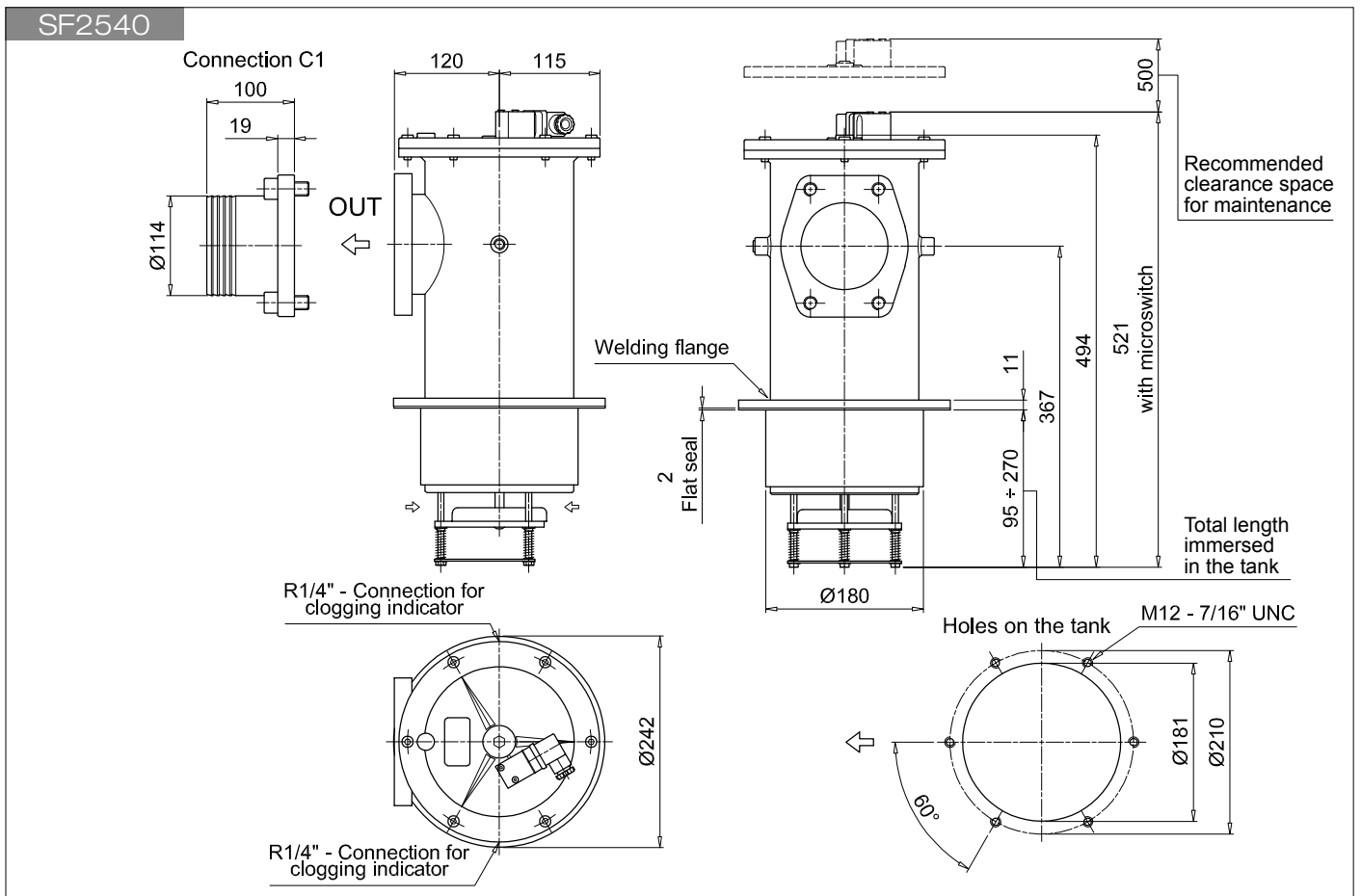
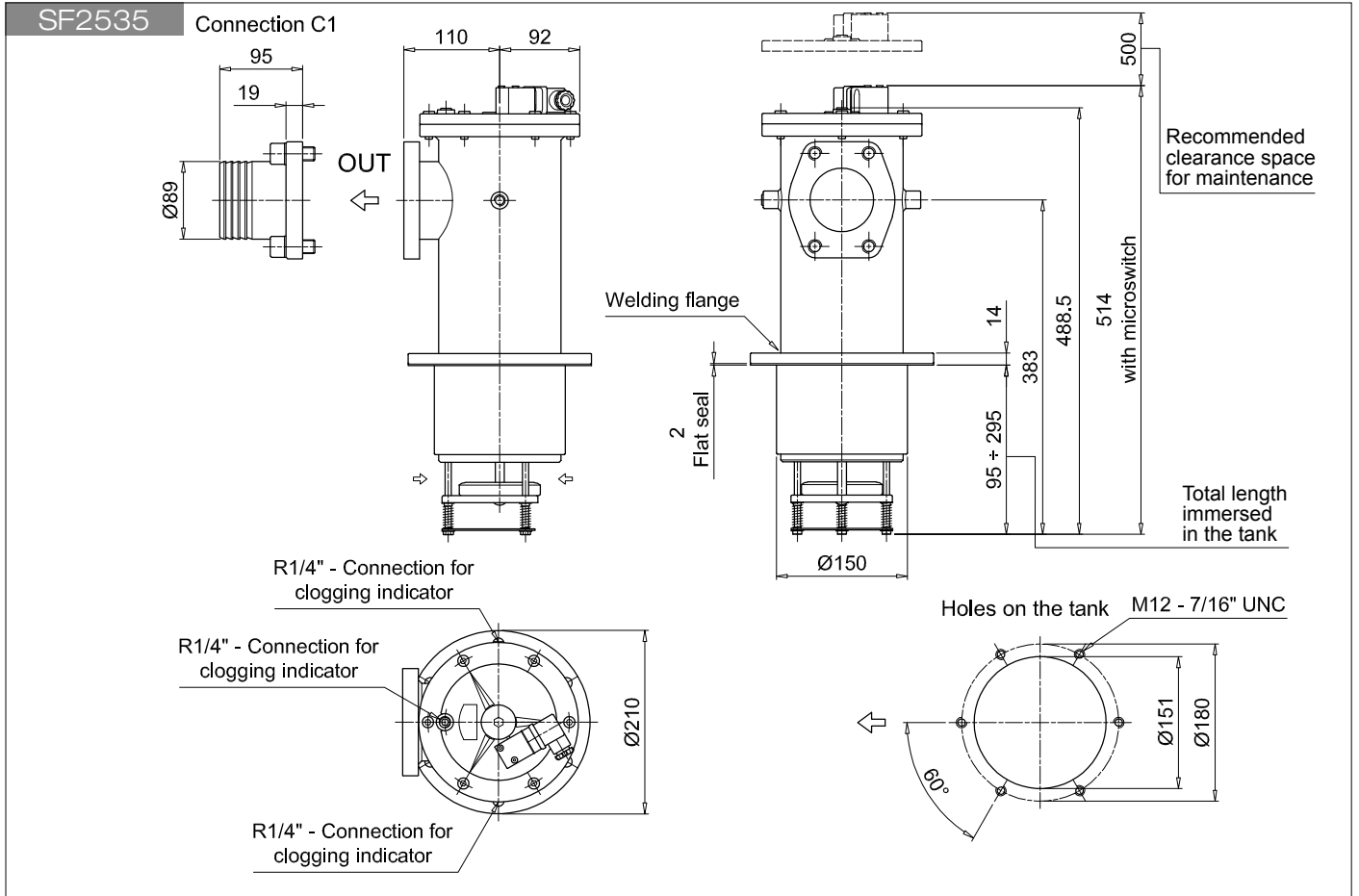
SF2510



SF2 500

SF2500 - SF2501 - SF2503 - SF2504 - SF2505 - SF25010 - SF2535 - SF2540

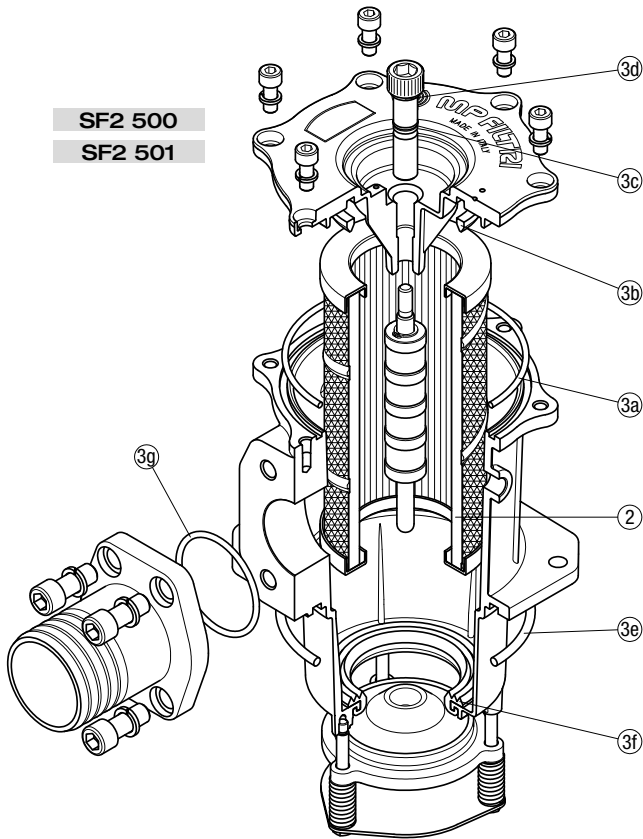
Dimensions



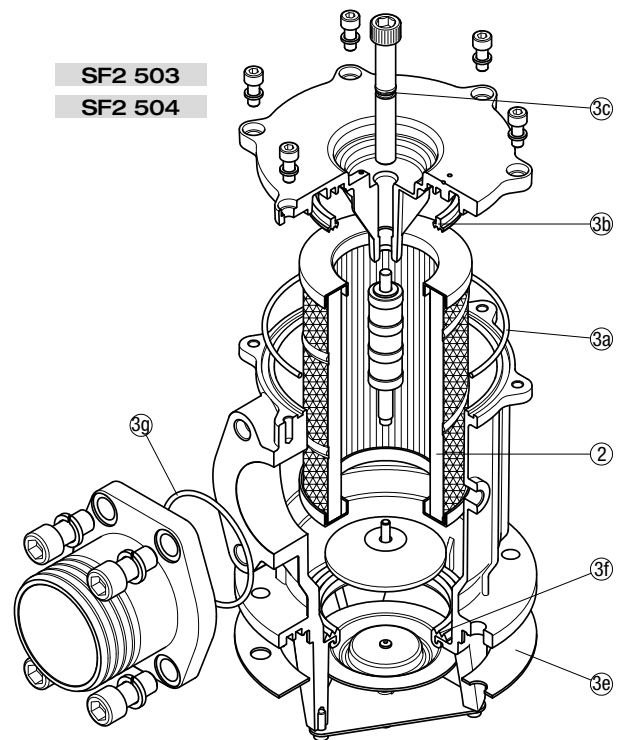
SPARE PARTS SF2 500

Order number for spare parts

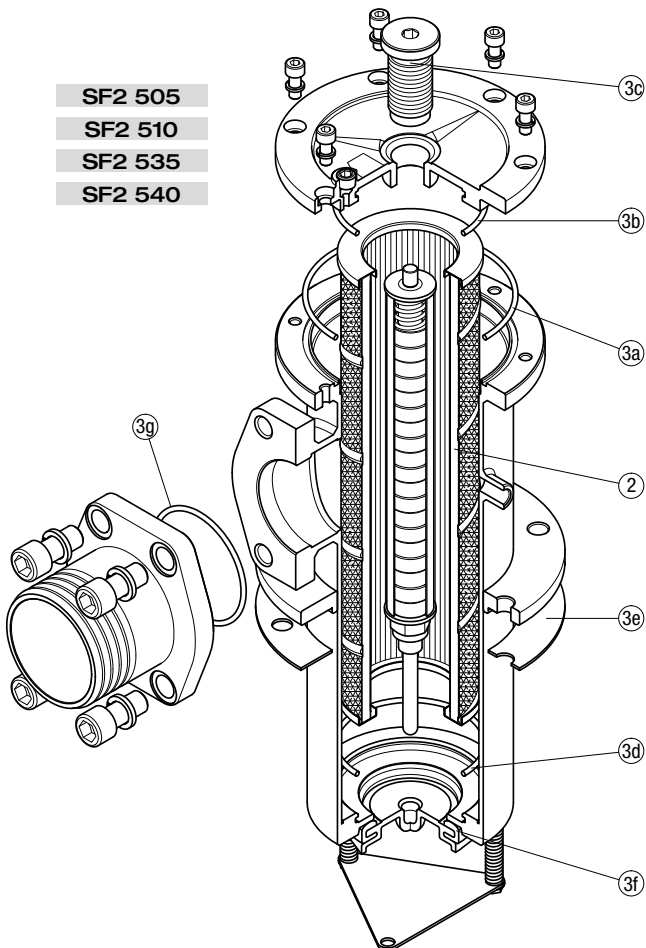
SF2 500
SF2 501



SF2 503
SF2 504



SF2 505
SF2 510
SF2 535
SF2 540



Item:	Q.ty: 1 pc.		
	2	3 (3a ÷ 3g)	
Filter series	Filter element	Seal Kit code number	
		NBR	FPM
SF2 500	See order table	02050141	02050142
SF2 501		02050143	02050144
SF2 503		02050070	02050071
SF2 504		02050072	02050073
SF2 505		02050043	02050044
SF2 510		02050045	02050046
SF2 535		02050051	02050052
SF2 540		02050053	02050054