

FMP 039 series

Maximum pressure up to 110 bar - Flow rate up to 80 l/min



FMPO39 GENERAL INFORMATION

Technical data

High Pressure filters Maximum pressure up to 110 bar - Flow rate up to 80 l/min

Filter housing materials

- Head: Anodized aluminium
- Housing: Anodized aluminium
- Bypass valve: Steel

Bypass valve

- Opening pressure 600 kPa (6 bar)
- Other opening pressures on request.

Seals

- Standard NBR series A
- Optional FPM series V

Pressure

- Working pressure: 11 MPa (110 bar)
- Test pressure: 17 MPa (170 bar)
- Burst pressure: 33 MPa (330 bar)
- Pulse pressure fatigue test: 1 000 000 cycles with pressure from 0 to 11 MPa (110 bar)

Δp element type

- Microfibre filter elements - series N: 20 bar
- Wire mesh filter elements - series N: 20 bar
- Fluid flow through the filter element from OUT to IN.

Temperature

From -25 °C to +110 °C

Connections

In-line Inlet/Outlet

Note

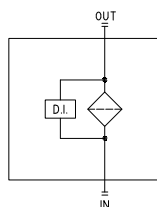
FMP 039 filters are provided for vertical mounting

Weights [kg] and volumes [dm³]

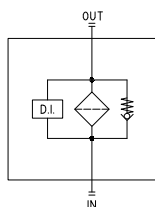
	Weights [kg]			Volumes [dm ³]				
	Length	2	3	4	Length	2	3	4
FMP 039		0.60	0.70	0.80		0.19	0.26	0.34

Hydraulic symbols

Style S

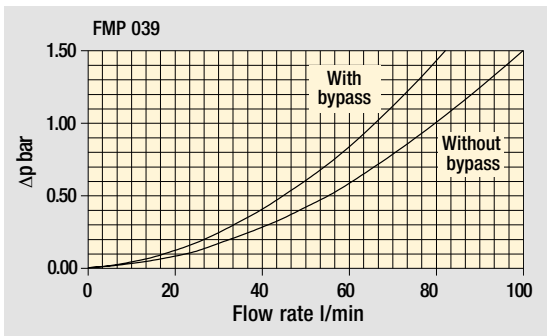


Style B

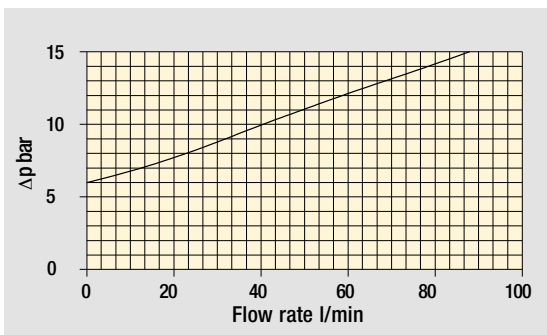


The curves are plotted using mineral oil with density of 0.86 kg/dm³ in compliance with ISO 3968.
 Δp varies proportionally with density.

Pressure drop



Filter housings Δp pressure drop



Bypass valve pressure drop

Executions

Execution 1:
without indicator connection

Execution 6
double indicator connection (A - B)

A:
Closure cap with standard T2 steel. The position of the cap is reversible.

B:
Standard closure cap with plastic thread protection.

If necessary, a second T2 plug is available, see ordering information.

Special connections on request

FMP039

Designation & Ordering code

COMPLETE FILTER

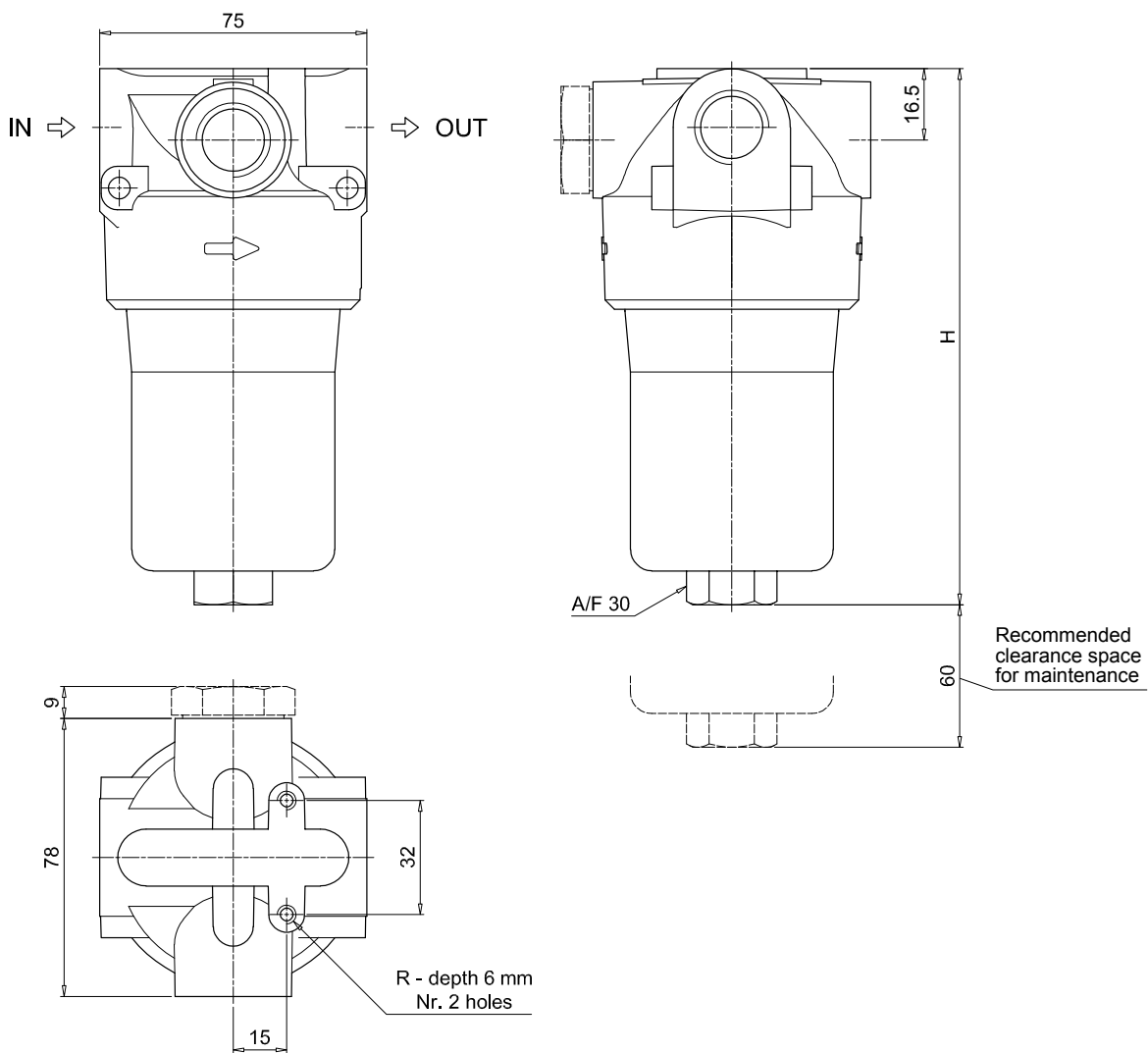
Series and size FMP039	Configuration example: FMP039	3	B	A	B	6	A03	N	P01
Length 2 3 4									
Valves S Without bypass B 6 bar									
Seals A NBR V FPM									
Connections A G1/2" B 1/2" NPT C SAE 8 - 3/4" - 16 UNF									
Connection for differential indicator 1 Without 6 With two connections on both sides									
Filtration rating (filter media) A03 Inorganic microfiber 3 µm A06 Inorganic microfiber 6 µm A10 Inorganic microfiber 10 µm A16 Inorganic microfiber 16 µm A25 Inorganic microfiber 25 µm M25 Wire mesh 25 µm									
						Element Δp N 20 bar		Execution P01 MP Filtri standard Pxx Customized	

FILTER ELEMENT

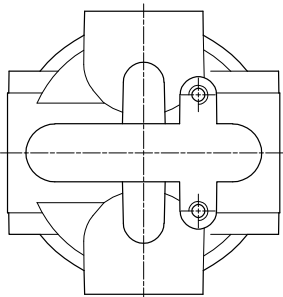
Element series and size HP039	Configuration example: HP039	3	A03	A	N	P01
Element length 2 3 4						
Filtration rating (filter media) A03 Inorganic microfiber 3 µm A06 Inorganic microfiber 6 µm A10 Inorganic microfiber 10 µm A16 Inorganic microfiber 16 µm A25 Inorganic microfiber 25 µm M25 Wire mesh 25 µm						
Seals A NBR V FPM						
						Element Δp N 20 bar
						Execution P01 MP Filtri standard Pxx Customized

ACCESSORIES

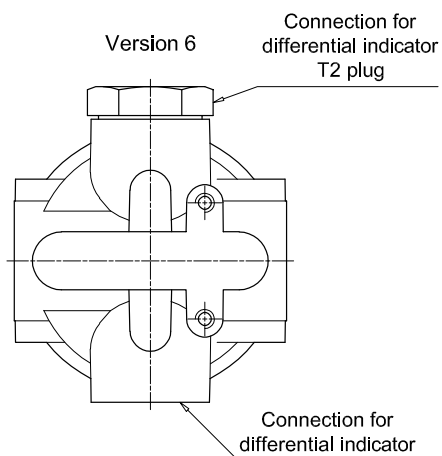
Differential indicators		page			page
DEA	Electrical differential indicator	517	DTA	Electronic differential indicator	520
DEM	Electrical differential indicator	517-518	DVA	Visual differential indicator	520
DLA	Electrical / visual differential indicator	518-519	DVM	Visual differential indicator	520
DLE	Electrical / visual differential indicator	519			
Additional features		page			
T2	Plug	521			



Version 1



Version 6



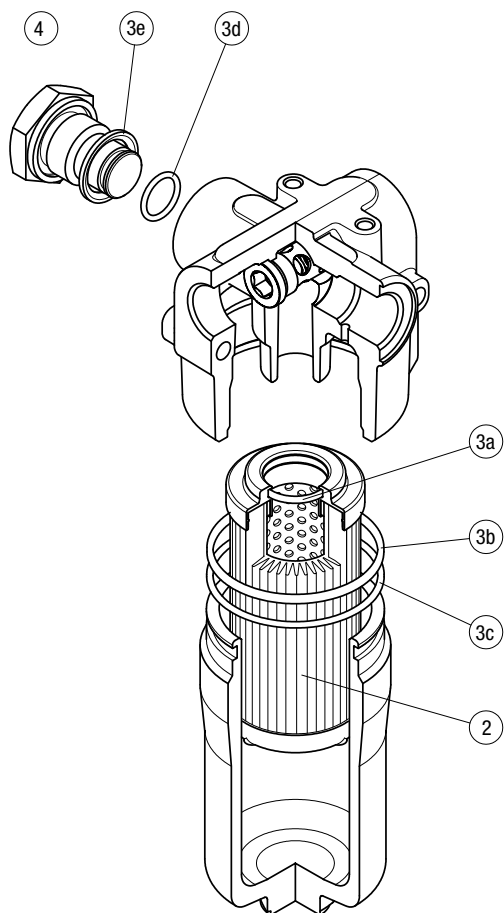
The position of the T2 plug is reversible

FMP039	
Filter length	H [mm]
2	151
3	194
4	138
Connections	R
A	M6
B - C	1/4" UNC

FMP039 SPARE PARTS

Order number for spare parts

FMP 039



Item:	Q.ty: 1 pc.	Q.ty: 1 pc.	
Filter series	Filter element	Seal Kit code number	
		NBR	FPM
FMP 039	See order table	02050509	02050510