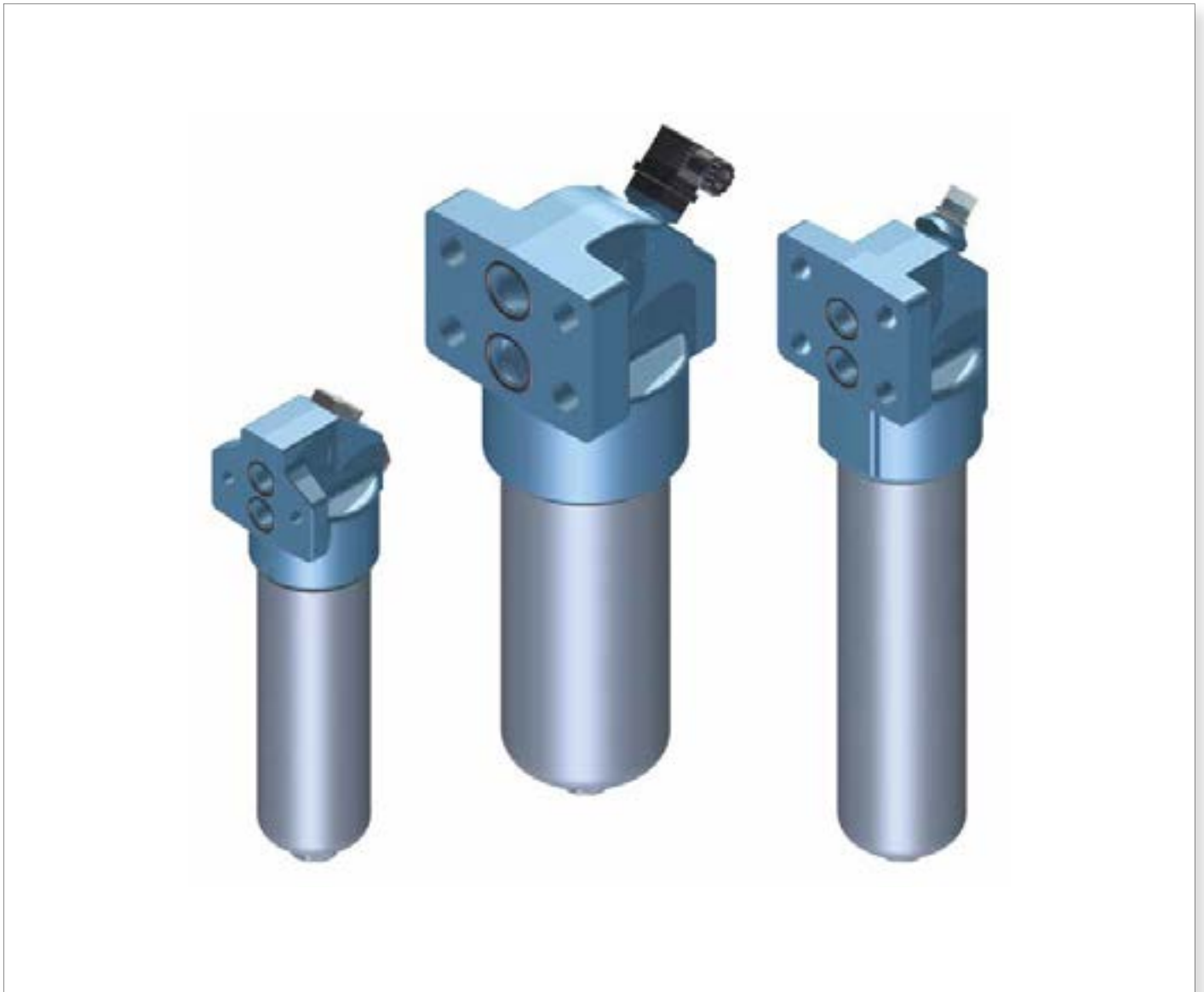


FHB series

Maximum pressure up to 320 bar - Flow rate up to 485 l/min



Technical data

High Pressure filters Maximum pressure up to 320 bar - Flow rate up to 485 l/min

Filter housing materials

- Head: Phosphatized cast iron
- Housing: Phosphatized steel
- Bypass valve: Steel
- Check valve: Steel

Pressure

- Working pressure: 32 MPa (320 bar)
- Test pressure: 48 MPa (480 bar)
- Burst pressure: 96 MPa (960 bar)
- Pulse pressure fatigue test: 1 000 000 cycles with pressure from 0 to 32 MPa (320 bar)

Bypass valve

- Opening pressure 600 kPa (6 bar)
- Other opening pressures on request.

Δp element type

- Microfibre filter elements - series N: 20 bar
- Microfibre filter elements - series H: 210 bar (not available for FHB065 - FHB135 - FHB320)
- Microfibre filter elements - series S: 210 bar (only for FHB050)
- Wire mesh filter elements - series N: 20 bar
- Fluid flow through the filter element from OUT to IN.

Seals

- Standard NBR series A
- Optional FPM series V

Temperature

From -25 °C to +110 °C

Connections

Manifold mounting

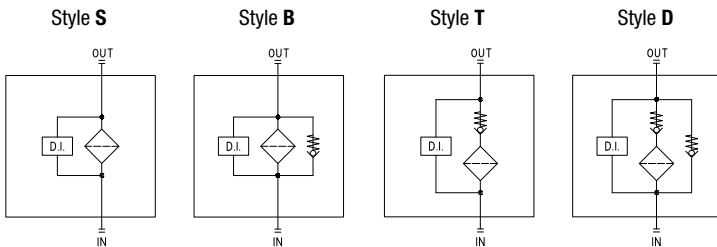
Note

FHB filters are provided for vertical mounting

Weights [kg] and volumes [dm³]

	Weights [kg]					Volumes [dm ³]						
	Lenght	1	2	3	4	5	Lenght	1	2	3	4	5
FHB 050		2.61	2.98	3.39	3.86	5.04		0.21	0.30	0.40	0.52	0.81
FHB 065		3.33	3.69	4.90	-	-		0.20	0.27	0.49	-	-
FHB 135		6.61	8.21	9.21	-	-		0.40	0.73	0.94	-	-
FHB 320		12.95	15.08	17.37	26.77	-		0.91	1.63	2.40	3.59	-

Hydraulic symbols

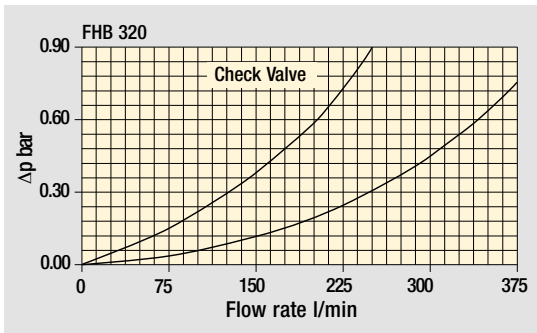
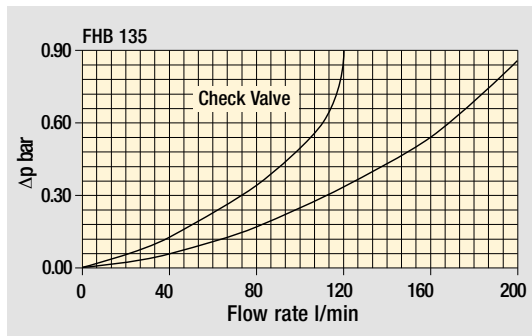
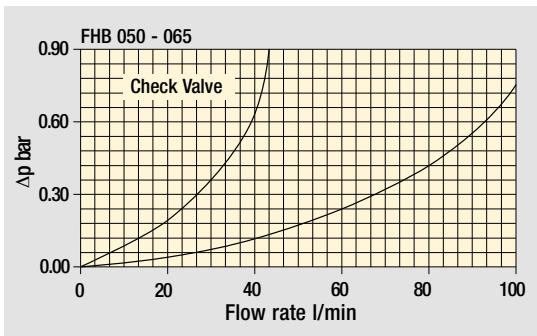


The curves are plotted using mineral oil with density of 0.86 kg/dm³ in compliance with ISO 3968.

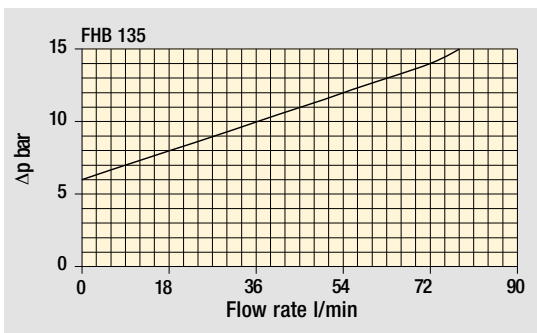
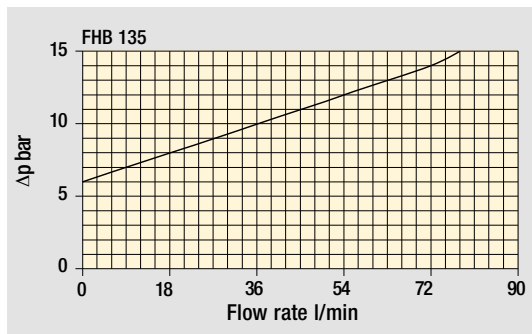
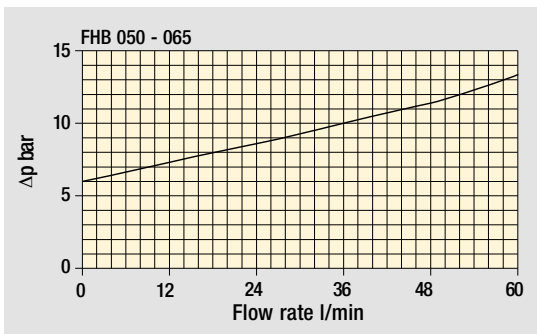
Δp varies proportionally with density.

Pressure drop

Filter housings Δp pressure drop



Bypass valve pressure drop



Designation & Ordering code

COMPLETE FILTER

Series and size FHB050	Configuration example: FHB050 2 T A F1 A06 S P01									
Length 1 2 3 4 5										
Valves S Without bypass B With bypass 6 bar T With check valve, without bypass D With check valve, with bypass 6 bar										
Seals A NBR V FPM										
Connections F1 Manifold										
Filtration rating (filter media)		A03 Inorganic microfiber 3 µm			A16 Inorganic microfiber 16 µm					
		A06 Inorganic microfiber 6 µm			A25 Inorganic microfiber 25 µm					
		A10 Inorganic microfiber 10 µm			M25 Wire mesh 25 µm					
				Valves						
Element Δp		S	B	T	D	Execution				
N 20 bar			•		•	P01 MP Filtri standard				
S 210 bar		•		•		Pxx Customized				

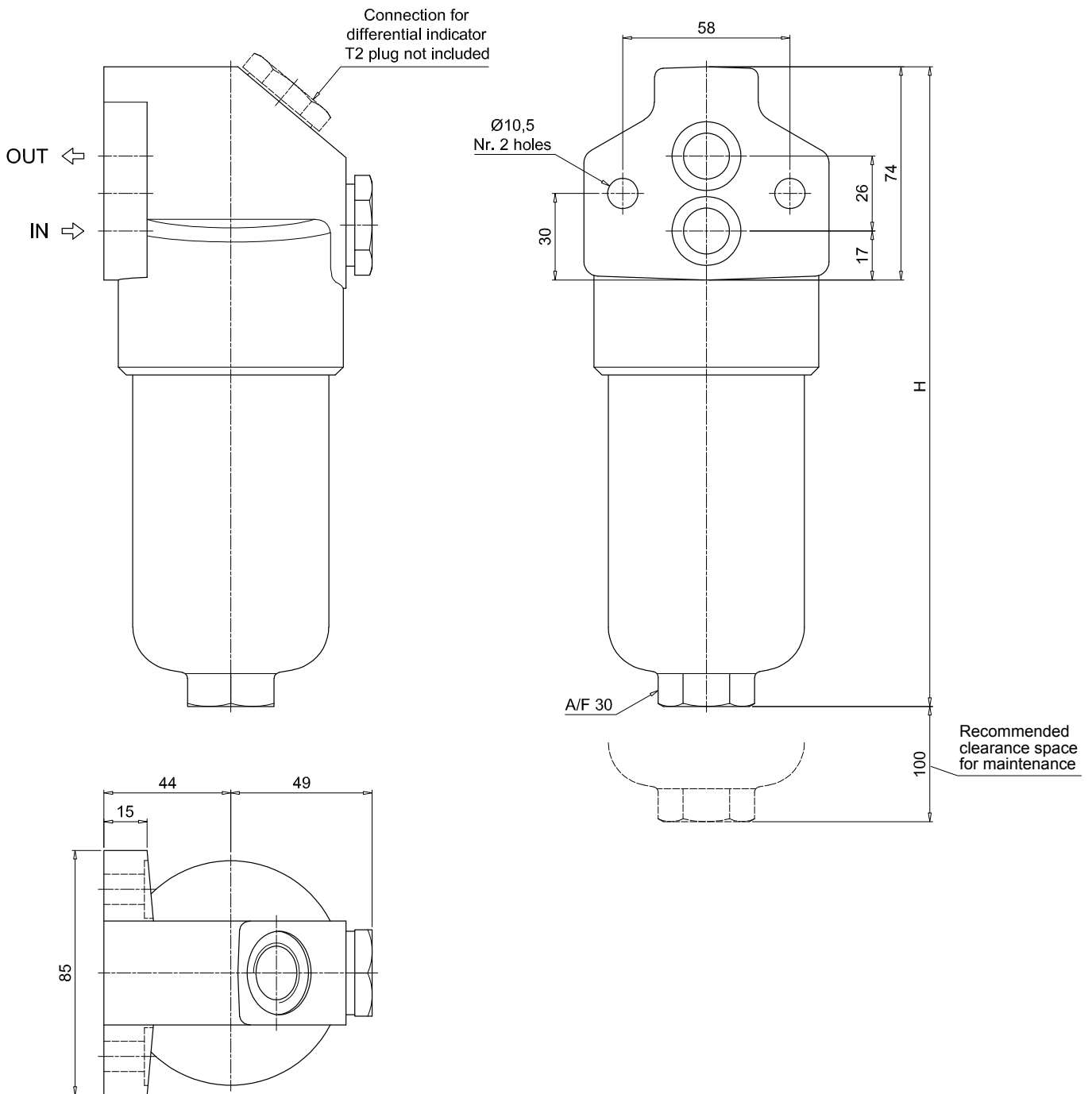
FILTER ELEMENT

Element series and size HP050	Configuration example: HP050 2 A06 A S P01						
Element length 1 2 3 4 5							
Filtration rating (filter media)		A03 Inorganic microfiber 3 µm			A16 Inorganic microfiber 16 µm		
		A06 Inorganic microfiber 6 µm			A25 Inorganic microfiber 25 µm		
		A10 Inorganic microfiber 10 µm			M25 Wire mesh 25 µm		
Seals		Element Δp		Execution			
A NBR		N 20 bar		P01 MP Filtri standard			
V FPM		S 210 bar		Pxx Customized			

ACCESSORIES

Differential indicators		page		page	
DEA Electrical differential indicator	517		DTA Electronic differential indicator	520	
DEM Electrical differential indicator	517-518		DVA Visual differential indicator	520	
DLA Electrical / visual differential indicator	518-519		DVM Visual differential indicator	520	
DLE Electrical / visual differential indicator	519				
Additional features		page			
T2 Plug	521				

FHB050	
Filter length	H [mm]
1	185
2	222
3	264
4	312
5	434



Designation & Ordering code

COMPLETE FILTER

Series and size				Configuration example: FHB320 4 S A F1 A06 H P01								
FHB065 FHB135 FHB320												
Length	FHB065	FHB135	FHB320									
1	•	•	•									
2	•	•	•									
3	•	•	•									
4			•									
Valves												
S	Without bypass											
B	With bypass 6 bar											
T	With check valve, without bypass											
D	With check valve, with bypass 6 bar											
Seals												
A	NBR											
V	FPM											
Connections												
F1	Manifold											
Filtration rating (filter media)												
A03	Inorganic microfiber	3 µm	A16	Inorganic microfiber	16 µm							
A06	Inorganic microfiber	6 µm	A25	Inorganic microfiber	25 µm							
A10	Inorganic microfiber	10 µm	M25	Wire mesh	25 µm							
				Valves				Execution				
				Element Δp	S	B	T	D	1	2	3	4
				N	20 bar		•			•	•	•
				H	210 bar	•		•				•
								P01	MP Filtri standard			
								P02	Maintenance from the bottom of the housing			
								Pxx	Customized			

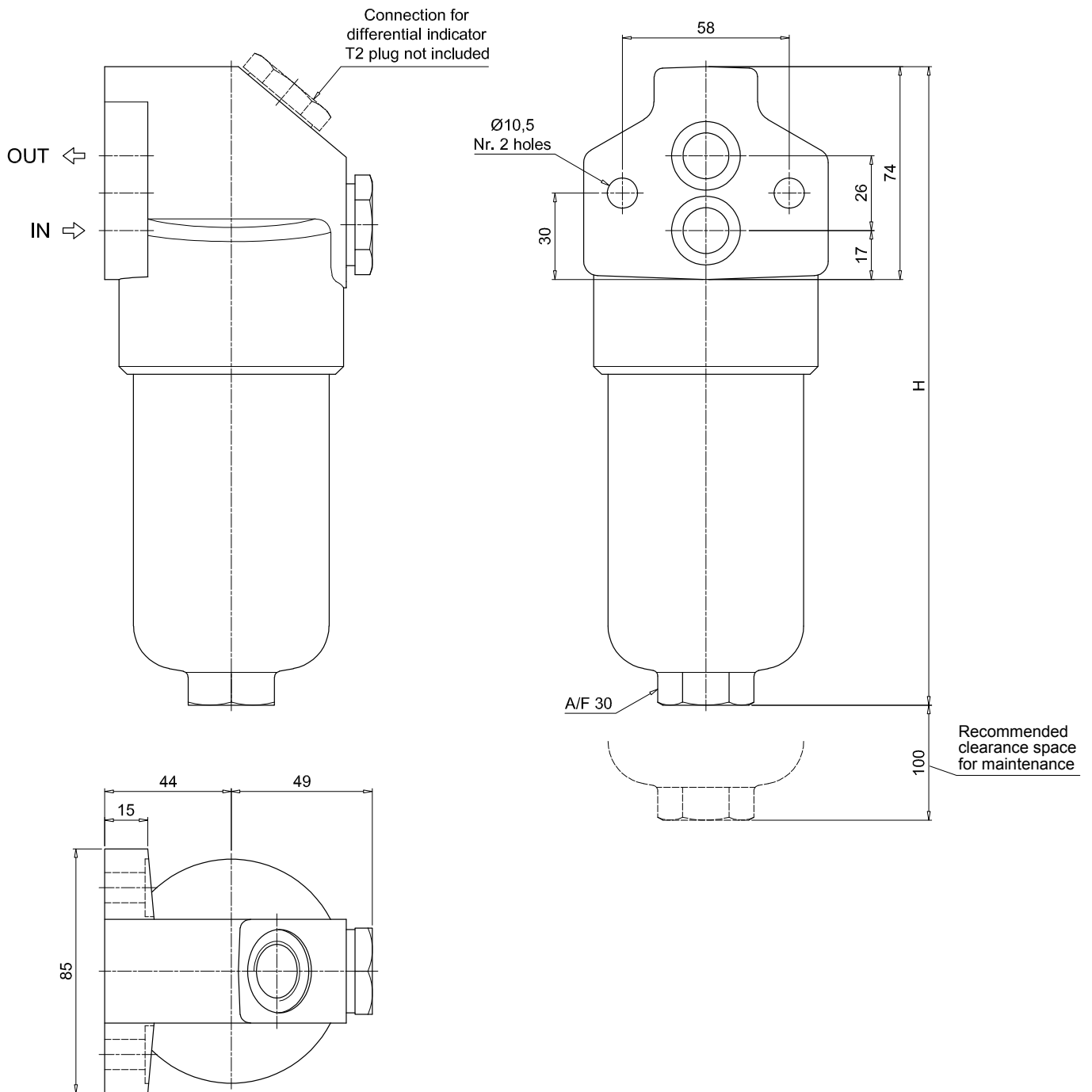
FILTER ELEMENT

Element series and size				Configuration example: HP320 4 A06 A H P01								
HP065 HP135 HP320												
Element length	HP065	HP135	HP320									
1	•	•	•									
2	•	•	•									
3	•	•	•									
4			•									
Filtration rating (filter media)												
A03	Inorganic microfiber	3 µm	A16	Inorganic microfiber	16 µm							
A06	Inorganic microfiber	6 µm	A25	Inorganic microfiber	25 µm							
A10	Inorganic microfiber	10 µm	M25	Wire mesh	25 µm							
				Seals				Element Δp				
				A	NBR	N	20 bar					
				V	FPM	H	210 bar					
								Execution				
								P01	MP Filtri standard			
								Pxx	Customized			

ACCESSORIES

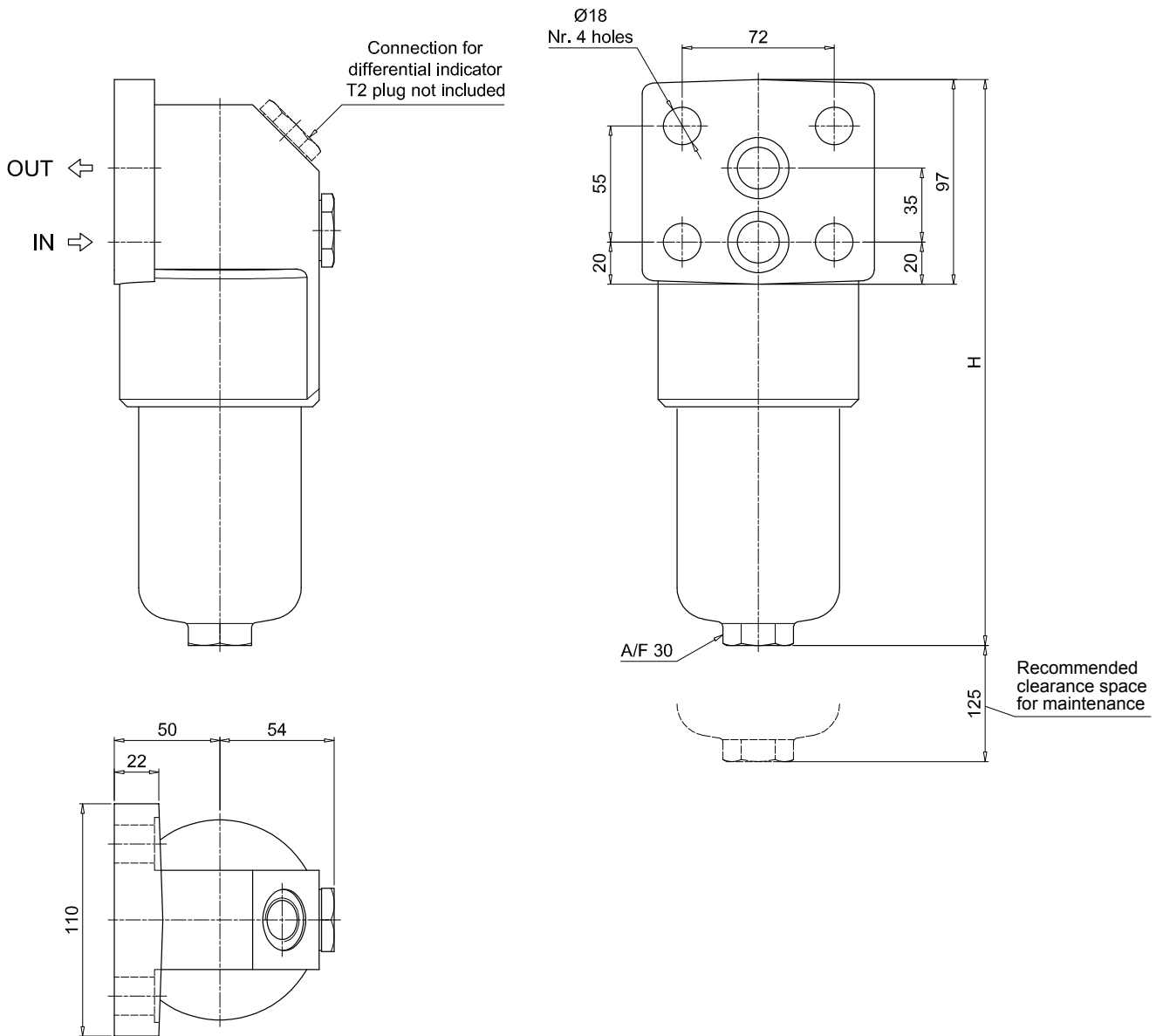
Differential indicators		page			page
DEA	Electrical differential indicator	517	DTA	Electronic differential indicator	520
DEM	Electrical differential indicator	517-518	DVA	Visual differential indicator	520
DLA	Electrical / visual differential indicator	518-519	DVM	Visual differential indicator	520
DLE	Electrical / visual differential indicator	519			
Additional features		page			
T2	Plug	521			

FHB065	
Filter length	H [mm]
1	194
2	225
3	327



FHB135

Filter length	H [mm]
1	268
2	381
3	456

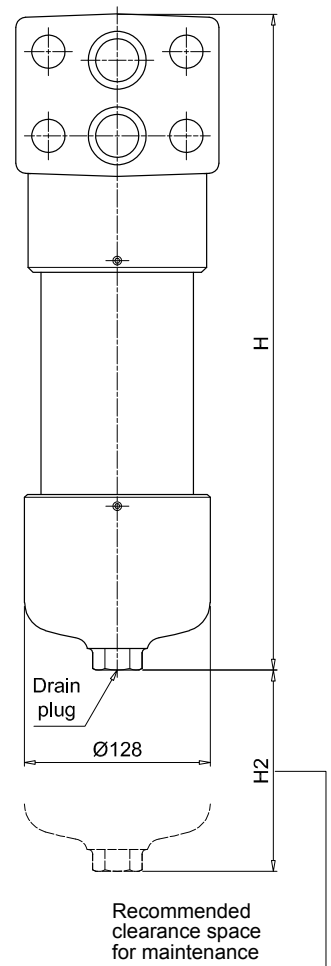
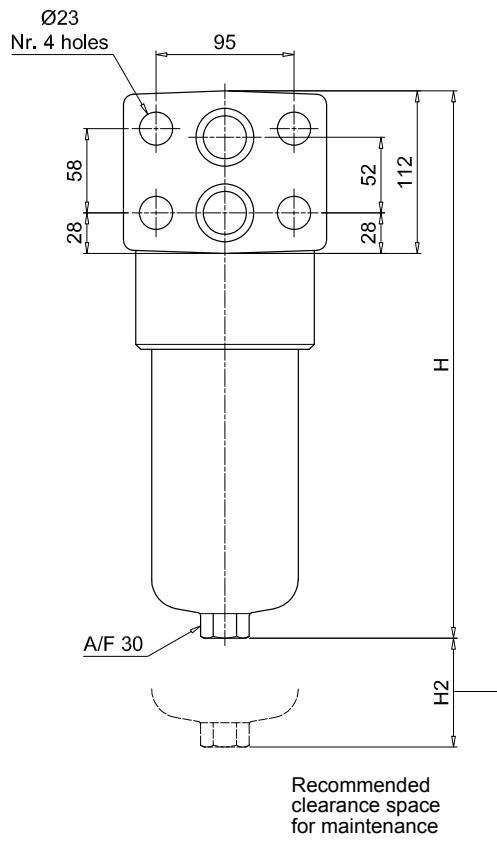
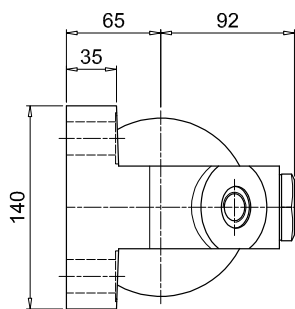
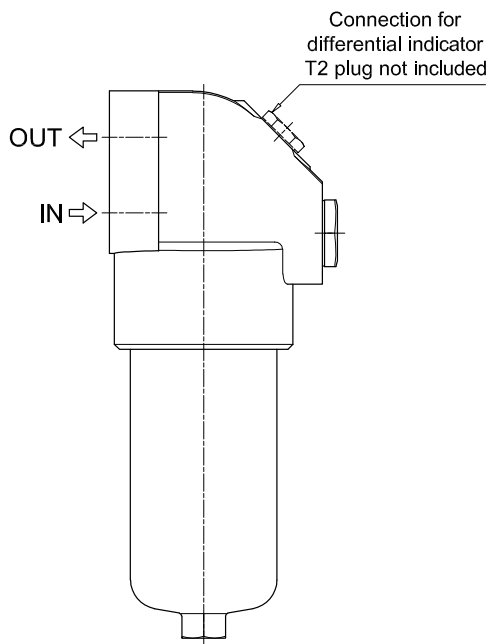


FHB320

Filter length	H [mm]	H2 [mm]	
		P01	P02
1	301	150	-
2	424	150	-
3	556	150	-
4	709	150	550

Length 1 - 2 - 3

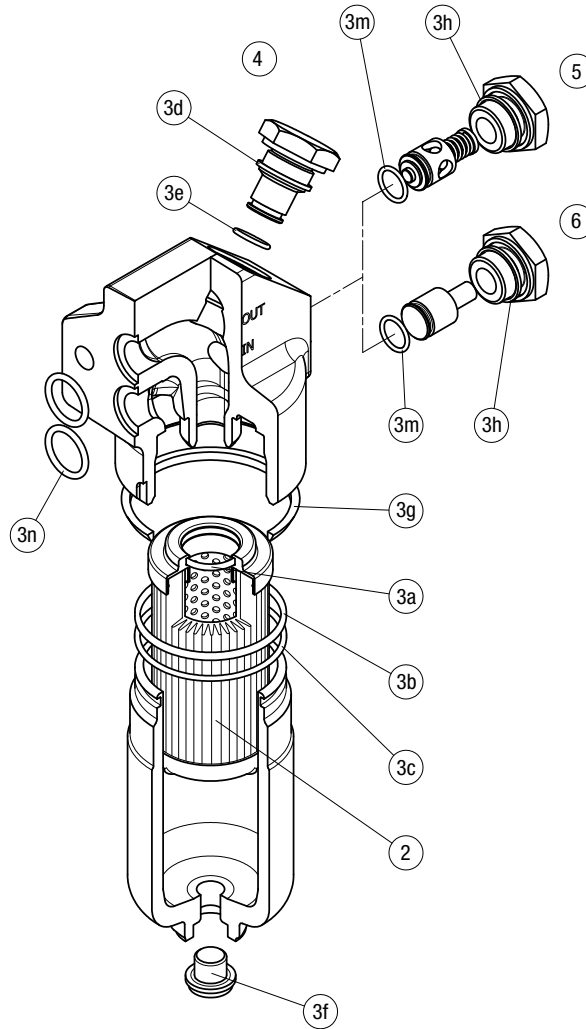
Length 4



FHB SPARE PARTS

Order number for spare parts

FHB 050 - 065 - 135 - 320



Item:	Q.ty: 1 pc.	Q.ty: 1 pc.		Q.ty: 1 pc.		Q.ty: 1 pc.		Q.ty: 1 pc.	
Filter series	Filter element	Seal Kit code number		Indicator connection plug		Bypass assembly		Non-bypass assembly	
		NBR	FPM	NBR	FPM	NBR	FPM	NBR	FPM
FHB 050	See order table	02050412	02050413			02001312	02001385	02001314	02001386
FHB 065		02050266	02050277			02001312	02001385	02001314	02001386
FHB 135		02050270	02050281	T2H	T2V	02001312	02001385	02001314	02001386
FHB 320		02050273	02050284			02001381	02001382	02001383	02001384