

11.1.5 ORDER CODE

1	2	3	4	5
PC	250	S	1	- -

1	Series
Pre-loading and checking	= PC

2	Scale of pressure gauge (bar)
0 ÷ 4 =	4
0 ÷ 10 =	10
0 ÷ 16 =	16
0 ÷ 25 =	25
0 ÷ 60 =	60
0 ÷ 100 =	100
0 ÷ 250 =	250 (standard)
0 ÷ 400 =	400
0 ÷ 600 =	600

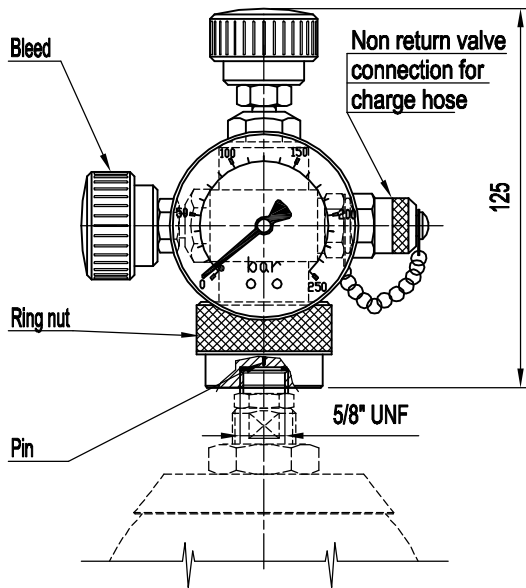
3	Filling valve connection
5/8" UNF	= S (standard)
VG8 (Ø 7.7 x 1/32")	= A
7/8" UNF	= B
1/4" BSP ISO 228	= C
VG8 (Ø 7.7 x 1/32")	= D
long thread	= D
7/8" UNF with pin	= E

5	Charging hose (meters)
Standard 3 mt =	-
1 mt =	C
4 mt =	M
6 mt =	L

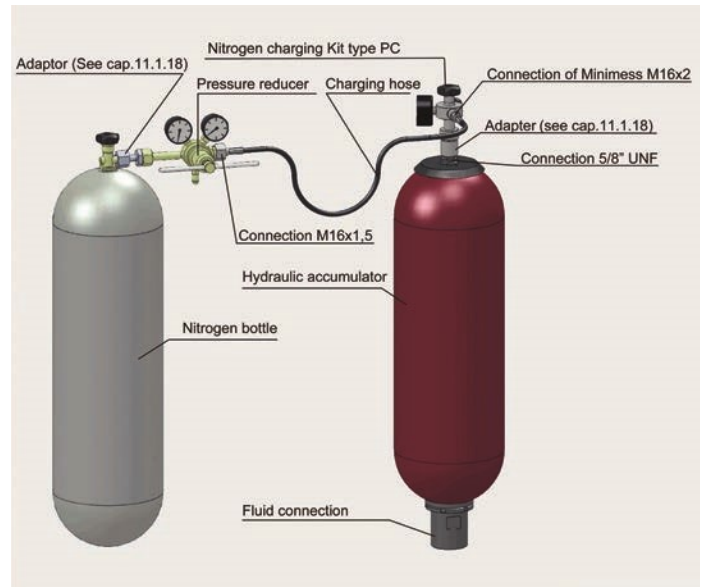
4	Connection to bottle (according to Country standards)	
Italy	= 1	Indonesia
Austria	= 2	Ireland
Czech Republic		Jamaica
Denmark		Kenya
Finland		Malaysia
Germany		Malta
Netherlands		New Zealand
Norway		Pakistan
Poland		Portugal
Sweden		Singapore
Switzerland		Sri Lanka
Belgium	= 3	Sudan
Algeria		Tanzania
Bahrain		Thailand
Bulgaria		Turkey
Egypt		Vietnam
France		Zambia
Gabon	= 5	Brazil
Guinea		Puerto Rico
Hungary	= 6	South Africa
Iran		Philippines
Iraq		Australia
Israel	= 7	Canada
Ivory Coast		U.S.A.
Jordan	= 8	Albania
Kuwait		Russia
Libya		Venezuela
Mauritius	= 9	Japan
Mexico	= 10	Taiwan
Morocco	= 11	China
Mozambique	= 12	Korea
Nigeria	= 13	Bolivia
Oman		Chile
Qatar		Colombia
Romania		Dominican Republic
Saudi Arabia		Ecuador
Slovenia		Guatemala
Spain		Guyana
Syria		Honduras
Tunisia		Paraguay
United Arab Emirates		Peru
Argentina	= 4	Uruguay
Bahamas		
Barbados		
Costa Rica		
Cyprus		
Ethiopia		
Gambia		
Ghana		
Great Britain		
Greece		
Hong Kong		
India		

Special variants on request

11.1.6 DIMENSIONS



11.1c



11.1d

11.1.7 SPARE PARTS CODE

Spare parts	number code
Complete PC body with manometer	B2156/*
PC body without manometer	B2157
Manometer	B2163/*
Flexible hose of 1 meter	B2166/1
Flexible hose of 3 meters (standard)	B2166/3
Flexible hose of 4 meter	B2166/4
Flexible hose of 6 meter	B2166/6
Complete central pin	B2165
Complete bleed	B2164
Non return valve	B2162
Seals kit	B2160/**
Seal face for filling valve	B10342 D

* = see scale of pressure gauge at Section 11.1.4

** = see table 11.1h for country codes

11.1d