

充气(氮)工具是蓄能器进行充气、补气、修正气压和检查充气压力等必不可少的专用工具。它具有结构紧凑、安全可靠、承高压、耐冲击、使用方便等特点。本公司充气(氮)工具分为CQJ和GCQJ两型。

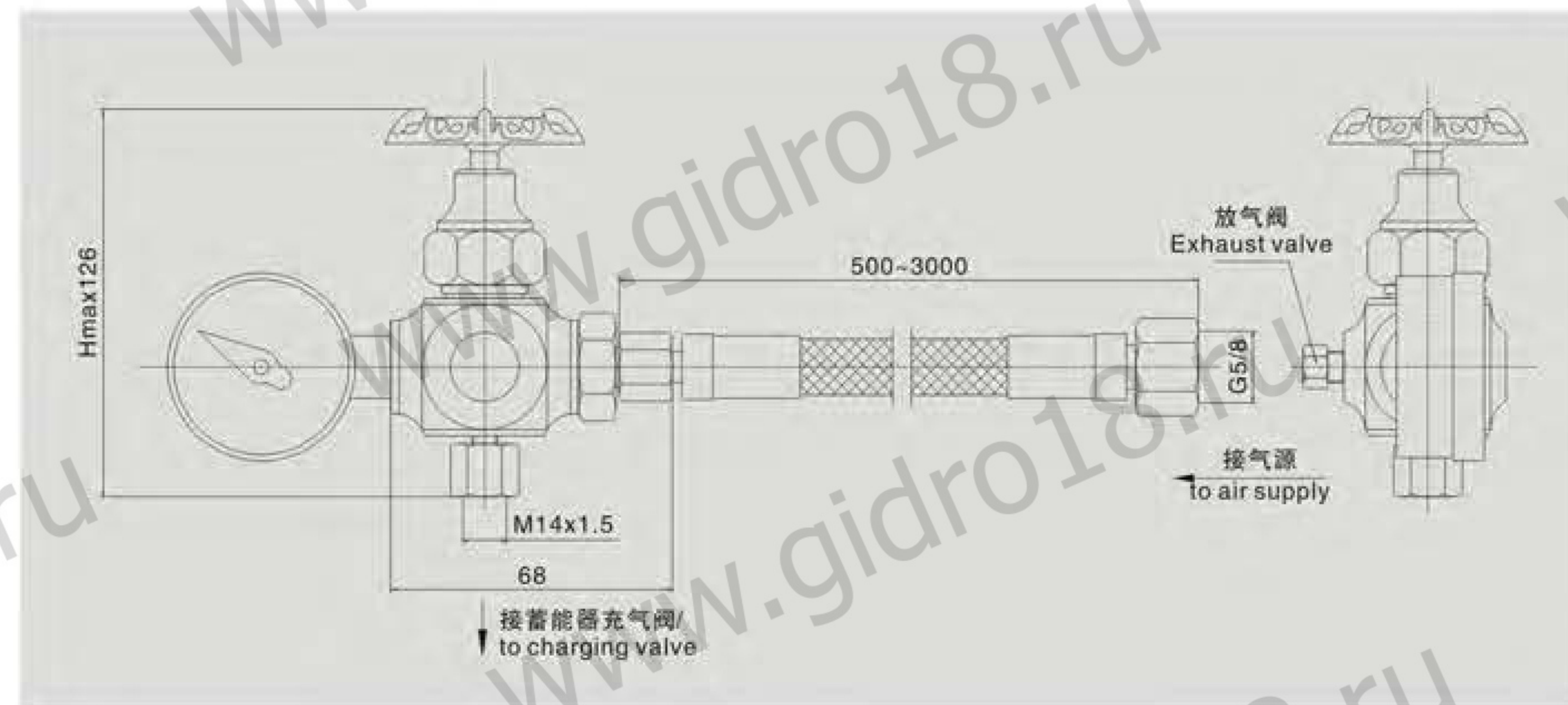
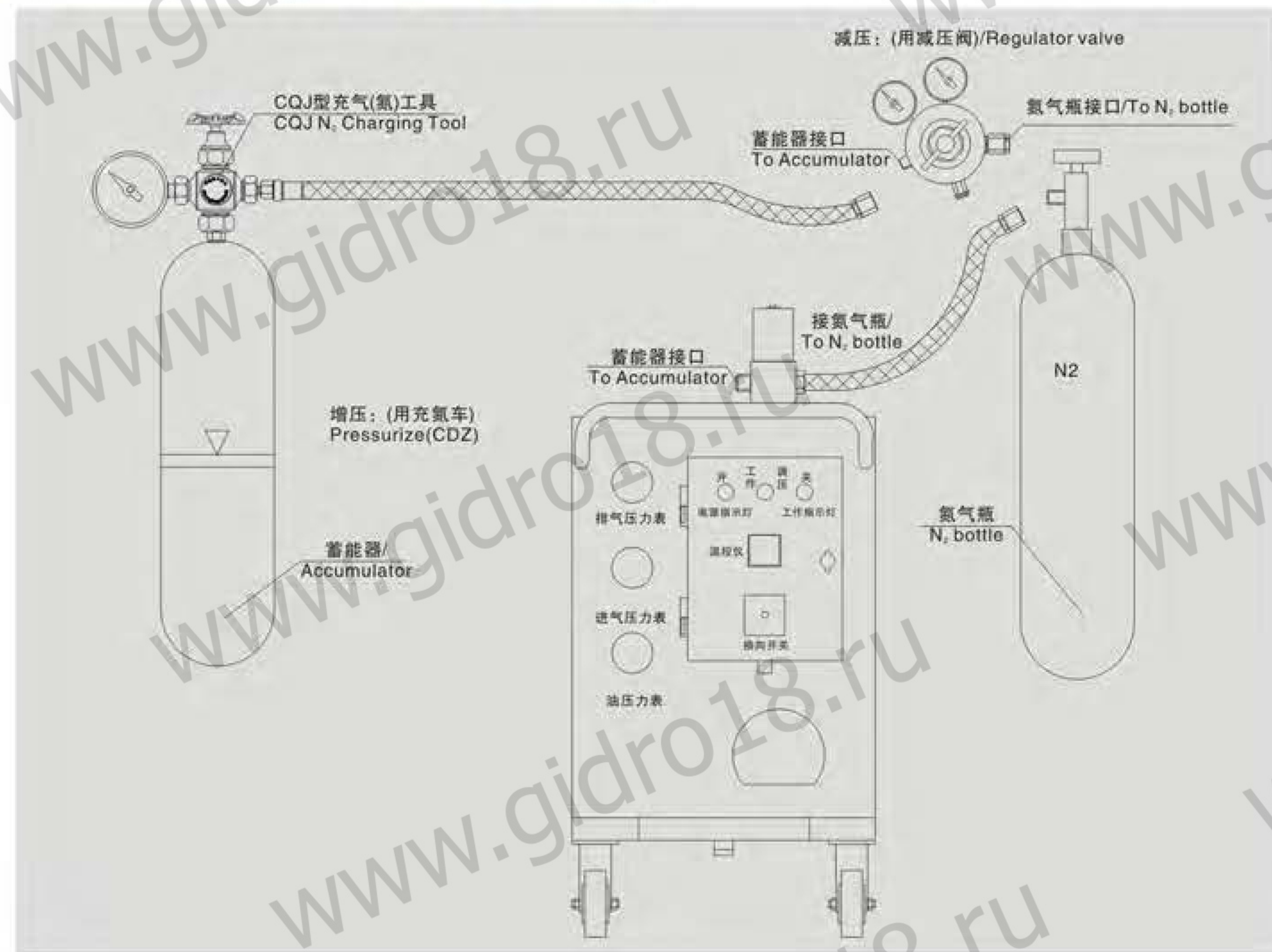
Charging Tool is an indispensable special tool to charge, supply, adjust pressure and test charging pressure. Its merits are made up of compact structure, high-reliability, high-pressure and impact resistance, convenience. To use we have two type charging tool CQJ and GCQJ.

CQJ型充气(氮)工具/Charging Tool

❖ 一、型号说明/Ordering Code



❖ 二、内部结构及外形尺寸/Structure and Dimension



1. 充气(氮)工具用于对蓄能器进行充气、检测充气压力或改变蓄能器里已存在预充压力。
2. 如果被充的蓄能器最高氮气压力低于氮气瓶最高压力时, 可以通过充气工具向蓄能器进行充气。
3. 如果被充的蓄能器最高氮气压力高于氮气瓶最高压力时, 可以通过充氮车向蓄能器进行充气。
4. 注意: 充气完毕后, 应关闭氮气瓶和蓄能器的接口, 接着打开充气工具中的放气阀, 放尽高压胶管中的气体, 然后卸下充气工具。

1. Charging tools are designed to charge, test gas pressure or change the existed pre-charge pressure
2. When the max pressure of accumulator charged is less than max pressure of nitrogen cylinder, relief valve is used to charge accumulator.
3. When the max pressure of accumulator charged is more than max pressure of nitrogen cylinder, nitrogen charging vehicle is used to charge accumulator.
4. Note: After charging, the connector between nitrogen cylinder and accumulator should be closed, and then open the bleed valve of charging tool to exhaust completely the gas in hose, finally, unload the charging tool

❖ 三、技术参数/Technical Parameter

型号 Model	公称压力 NOM.P (Mpa)	配用压力表/Pressure gauge		胶管规格/Hose specification		与蓄能器连接 尺寸(mm) Connection Dimension	适用蓄能器型号 For Accumulator	重量 Weight (kg)
		刻度等级 Scale(Mpa)	精度等级 Precision(Mpa)	内径(mm) x 钢丝层数 Inner D(mm)xNo. of layer	长度/Lenght (mm)			
CQJ-16	10	16			1500	M14x1.5-6g	NXQ-*/10-L/F	1.7
CQJ-25	20	25	1.5	Φ8x1	至	NXQ-*/20-L/F		
CQJ-40	31.5	40			5000	NXQ-*/31.5-L/F		

❖ 四、订货说明/Booking Note

1. 订货时须写明型号代号全称, 如: 工作压力为10Mpa < PN < 20 Mpa的充气工具: CQJ-25(标准胶管长度为1500mm)。
2. 如对充气工具还有特殊要求时, (如隔膜式蓄能器需要的充气工具、进口蓄能器需要的充气工具等), 请向本企业商洽。
3. 本企业保留设计更改权, 对修改不另行通知。

1. Full type code is needed when booking. For example: charging tool of operating pressure 10MPa < PN < 20MPa: CQJ-25, 1.5m tube
2. Contact us if special requirement is needed.
3. Design change is retained by our company and amendment is effected with out further notice.